

REVOX

B209 MULTI-ROOM SYSTEM

INSTALLATION GUIDE

STUDER REVOX AMERICA, INC.
1425 ELM HILL PIKE
NASHVILLE, TN 37210
615 254 5651

12. Aug. 1988

TABLE OF CONTENTS

GENERAL	
Multi-Room System Concept	3
Installation Details	4
Connection Panel Details	5
MODE PRESET Switch Settings	6
B208 Remote Functions	7
Connector Box - B209 Wiring	8
B209 Connection Detail	9
MULTI-ROOM SYSTEM DIAGRAMS	
Main Room	10
Sample Remote # 1	11
Sample Remote # 2	12
Sample Remote # 3	13
Typical Power Cube Installation	14
CABLE WIRING	
Audio/Data Buss	15
I/O Adapter to B206 Wall Mount	16
I/O Adapter to B206 Table Top	17
Power Cube to B209	18
Connector Plate	19
DIN Connector Detail	20
ORDER FORMS	
Installation Accessories	21
Equipment	22

ReVox B209 Multi-Room System

- TWO SEPARATE AUDIO SOURCES

The ReVox B209 Multi-Room System allows the homeowner to establish remote listening areas throughout the home that effectively duplicate the main listening room. Listeners in remote rooms can choose to: 1) listen to the same source as the main room, 2) select a different source from the main room, or 3) select a local source independent of both the main room and the other remote locations.

- INDEPENDENT LOCAL CONTROLS

Each remote location with a B209 has the functional equivalent of a pre-amplifier. Volume, balance, bass and treble in any particular remote location are controlled independent of all other locations.

- LOCAL AUDIO SOURCE

Each B209 has an auxiliary input that accepts a wide variety of audio sources--Compact Disc Player, Cassette Deck, Video Cassette Recorder, TV Monitor, or any number of other sources. Of course, if the source is ReVox, it can be controlled via the B208 Remote Control.

- INFRARED REMOTE CONTROL

The main room system and all of the remote locations can be controlled via the B208 IR Transmitter. More than 50 functions are available from this remote.

- EASY CONNECTION

The cable to all remote locations is Belden 8777 or an equivalent. All locations may be "daisy chained" in parallel. Individual runs may be up to 300 feet with minimal loss. The cable contains both channels of audio, and the IR data. DIN connectors are used for all connections to allow easy installation.

ReVox B209 Multi-Room System

- INSTALLATION DETAILS - MAIN ROOM

The accompanying drawings show a typical main room installation. Only systems that are 100% ReVox will be discussed here, even though it is possible to connect other brands as audio sources in both the main room and remote locations. The heart of the system is the B250 (or B150) Integrated Amplifier. It has two internal audio busses to allow for separate main and remote listening possibilities. All components connect to the B250 in the usual manner. The only thing needed now is the interface for the remote systems. We call this interface a MULTIROOM CONNECTOR BOX. The RECORD OUTPUT from the B250 connects to the input of the CONNECTOR BOX, and a SERIAL LINK connection is made to each of the components in the main room. The output of the CONNECTOR BOX then goes to the first remote location.

- INSTALLATION DETAILS - REMOTE ROOM

The cable coming from the main room (or a previous remote location) connects to the B209 and then can be continued to another remote location. The B209 requires 15 Volts AC to operate, supplied either by the ReVox POWER CUBE or by an external supply. The AUX OUT signal from the B209 can go either to a power amp or a pair of powered loudspeakers. The AUX IN signal can come from an optional local source. If the ReVox POWER CUBE and PICCOLO satellites are used, no other components are needed in the remote location. The B209 can even replace the base of the subwoofer, making for a very neat, compact installation.

Please refer to the drawings for connection details.

ReVox B209 Multi-Room System

- CONNECTION PANEL DETAILS

* Multi-Room Connector Box:

- AUDIO/DATA BUSS - The feed going to all remote locations. It carries both channels of audio and the IR data.
- B206 - Optional B206 IR Receivers may be connected here to allow for concealment of the main room components. The B206 will act as an IR relay.
- SERIAL LINK - All SERIAL LINK outputs from the components will connect here, with the #1 position going to the B250.
- FROM REC-OUT - The RECORD OUTPUT from the B250 connects here. This is the audio buss that will feed all the remote locations.

* B209 Connection Panel:

- I/O ADAPTER - Input connection for an optional B206 IR receiver. The B209 can be hidden, and signals relayed to it via a B206.
- MODE PRESET - Four switches that allow various operating modes for the B209 to be selected. See operating instructions.
- EXT. POWER - 15 Volts AC @ 12VA is required to run the B209. This voltage can be obtained from an external power supply, or from the ReVox POWER CUBE.
- POWERED SPEAKER - The POWER CUBE can be connected directly to the B209 via a single cable that carries both channels of audio, the IR control signal, and 15 VAC.
- AUX OUTPUT - The preamp out of the B209. Can be used to feed a Power Amp or a pair of Powered Loudspeakers (Agora).
- AUDIO/DATA BUSS - The feed from the main room (or a previous remote location) The buss contains both channels of audio and the IR data. This feed is branched to all remote locations.
- AUX INPUT - Audio input for a local source.

ReVox B209 Multi-Room System

MODE PRESET Switch Settings

Switch	ON	OFF
1	B250 / B150	B285
2	EASY Operation ON	EASY Operation OFF
3	No Commands to Main Room	Commands to Main Room
4	not used	not used

Switch 1

The B250/B150 offers true 2-program source listening. The B285 only allows single source listening.

Switch 2

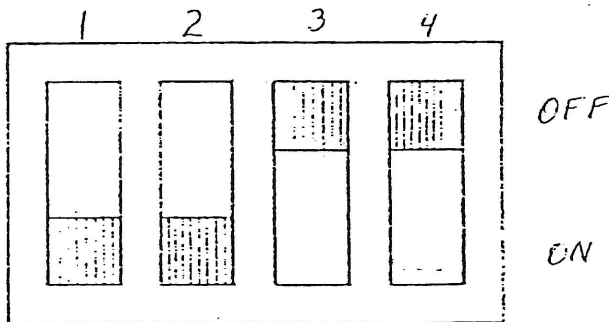
Enables the EASY function from the remote location back to the main room, allowing one-button operation of complex tasks.

Switch 3

Allows blocking of commands from the remote location back to the main room. Remote can then be a listen only location.

Switch 4

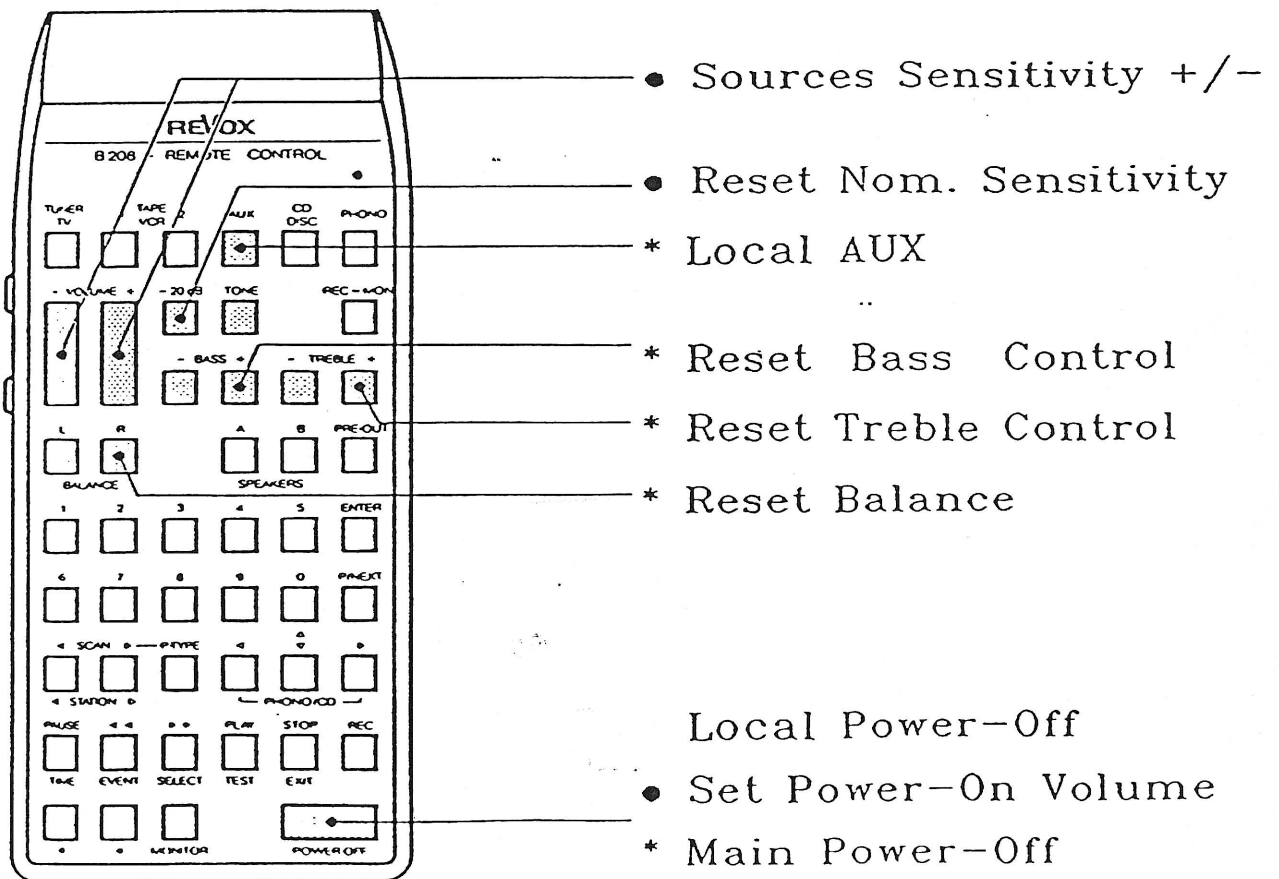
Not used.

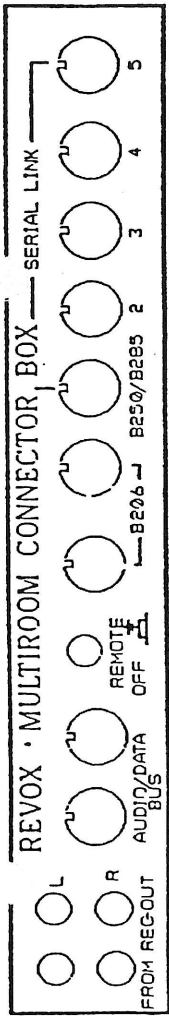




B209 SUBCONTROLLER

Local Functions





use cable # 33212 (ELA)

Special Cable:
wiring: PIN 1=2
4=5
Connector Box
needs +5V-supply!

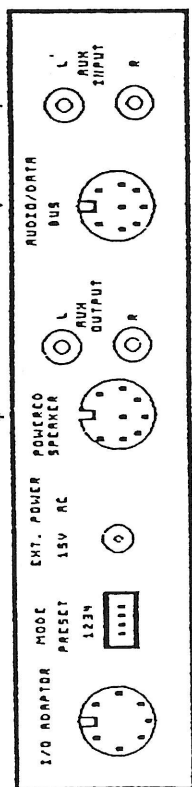
Bus cable:
PIN: 1,6 BAL Audio L
3,7 BAL Audio R
4 common screen
2,8 Data pair
5 Data GND
(separate from
Audio GNDII)

from B250/B285
REC-OUT

SERIAL LINK

from local
AUX-source

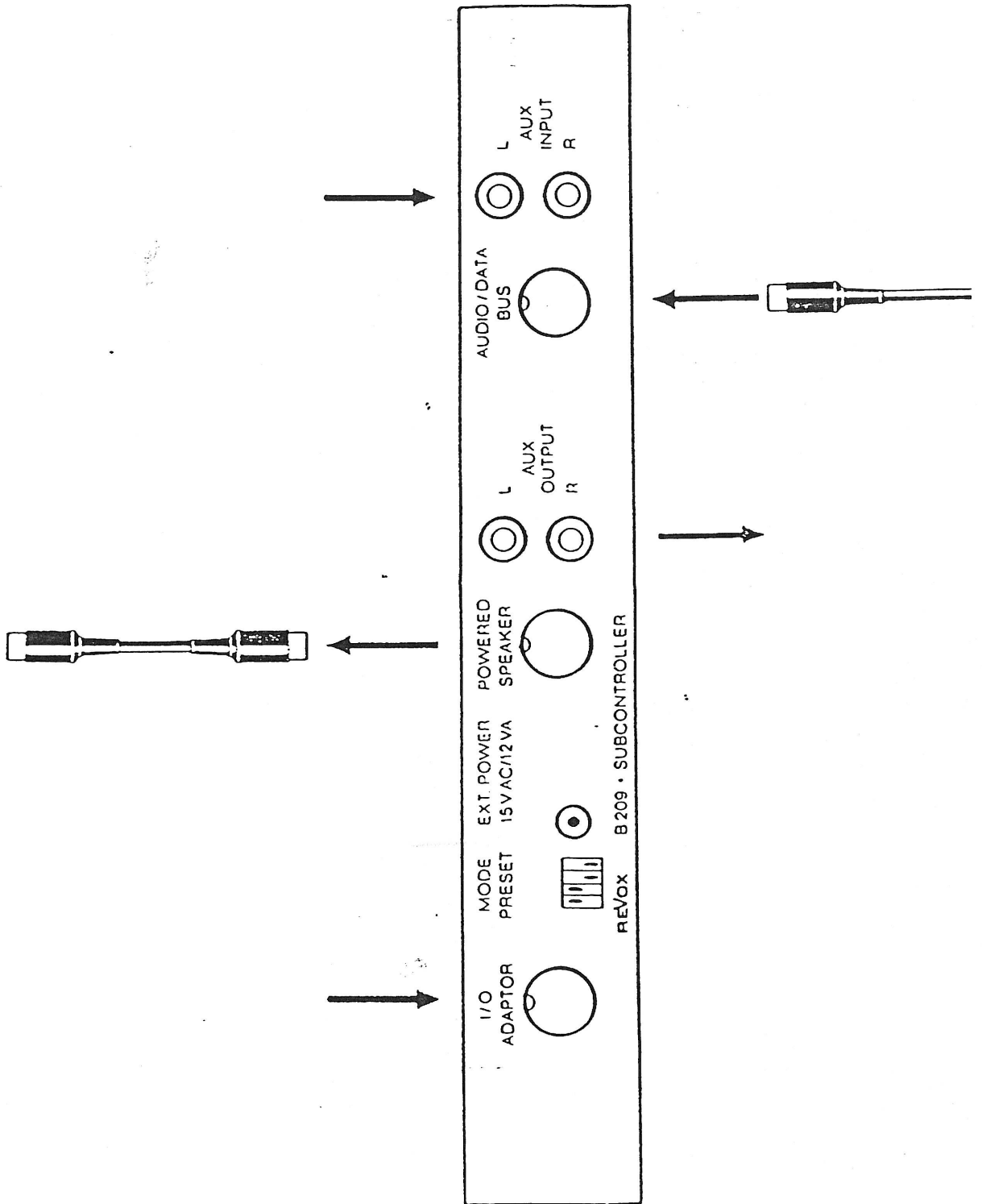
To POWER CUBE



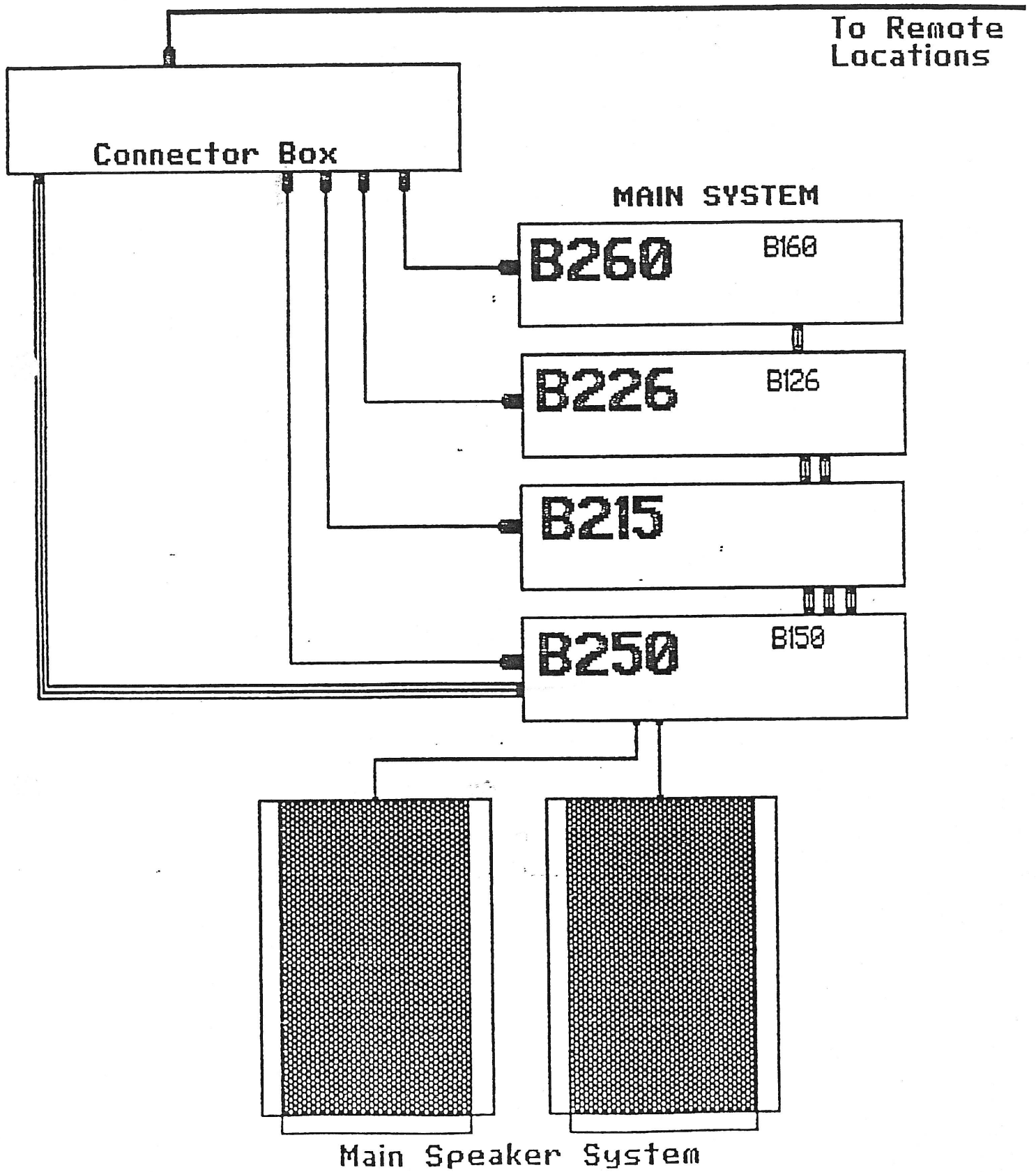
SUBCONTROLLER REVOX B209

- To set MODE please refer to Operating Instructions!
- ① Cable Included with POWER CUBE
 - ② Dedicated to multroom extension
 - ③ Standard twin Cinch-Cable C2C #33042

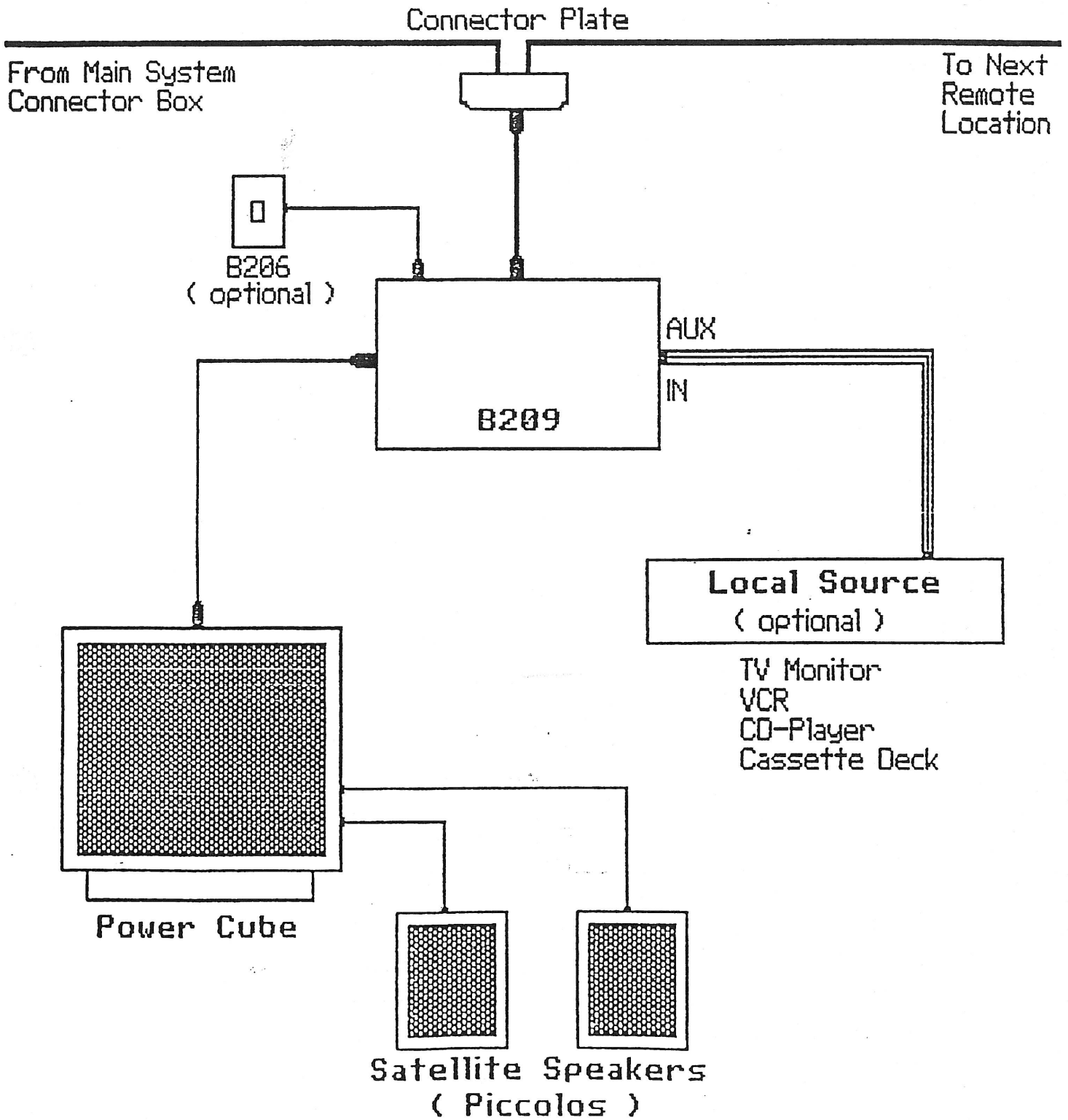
B209 SUBCONTROLLER



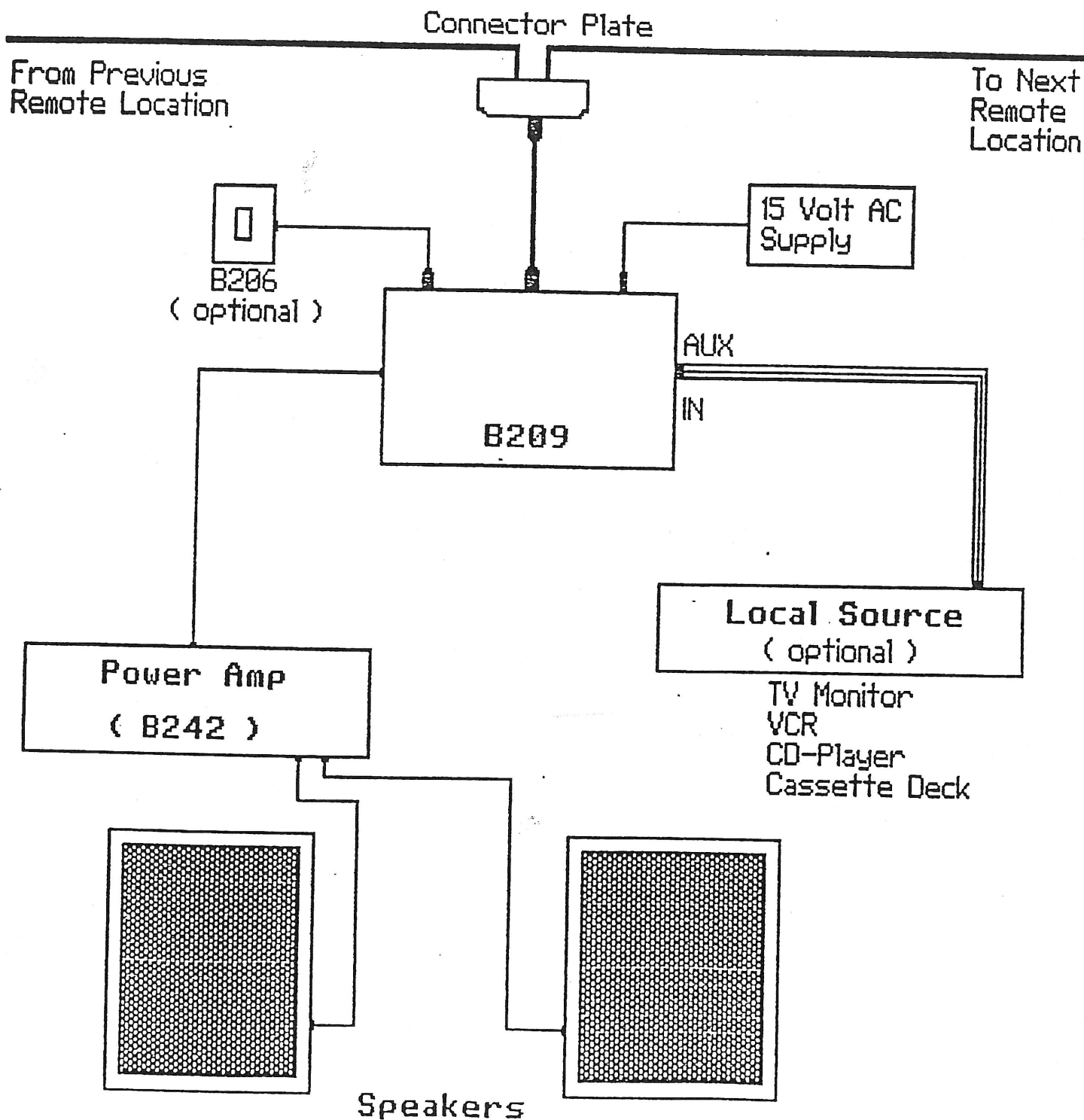
ReVox Multi-Room System Diagrams



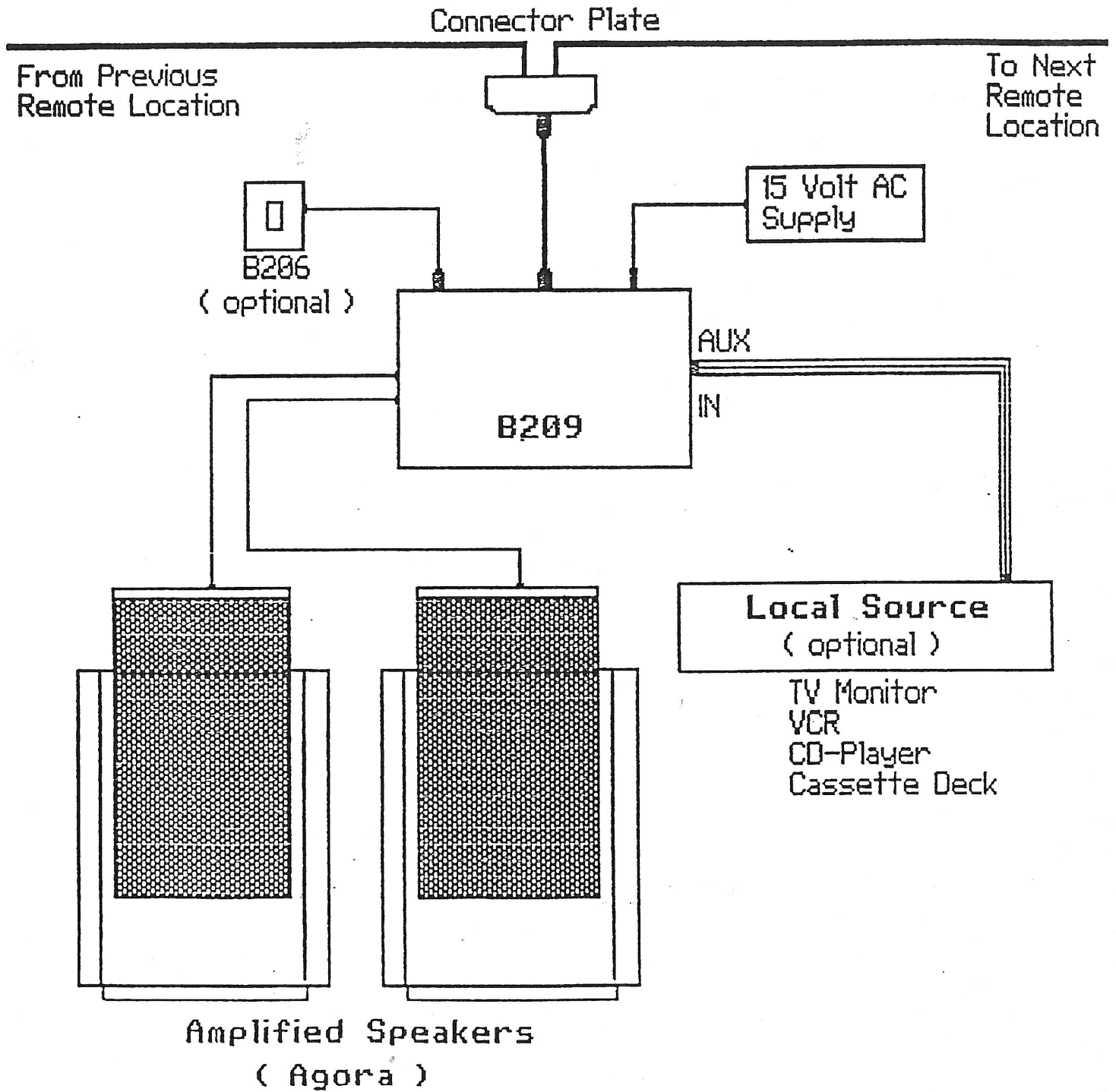
Remote Room #1

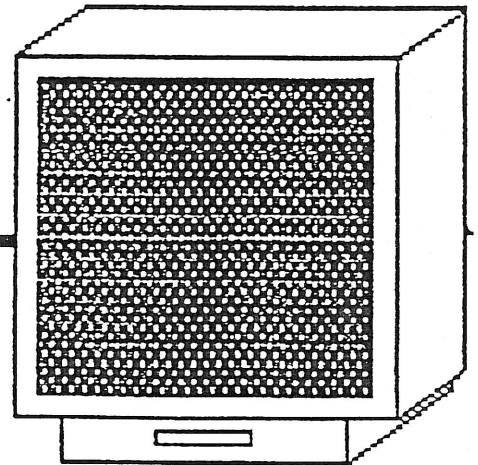
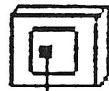
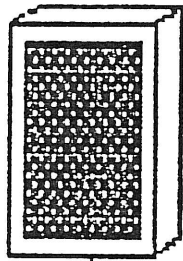


Remote Room #2



Remote Room #3



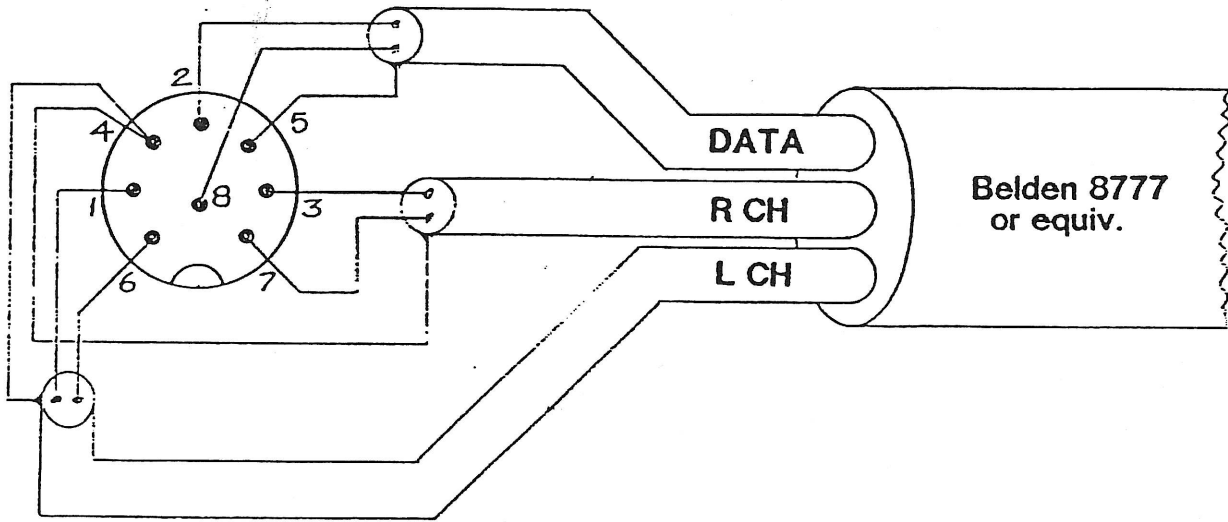


POWER CUBE INSTALLATION

REVOX

B209 MULTI-ROOM SYSTEM

AUDIO/DATA BUS

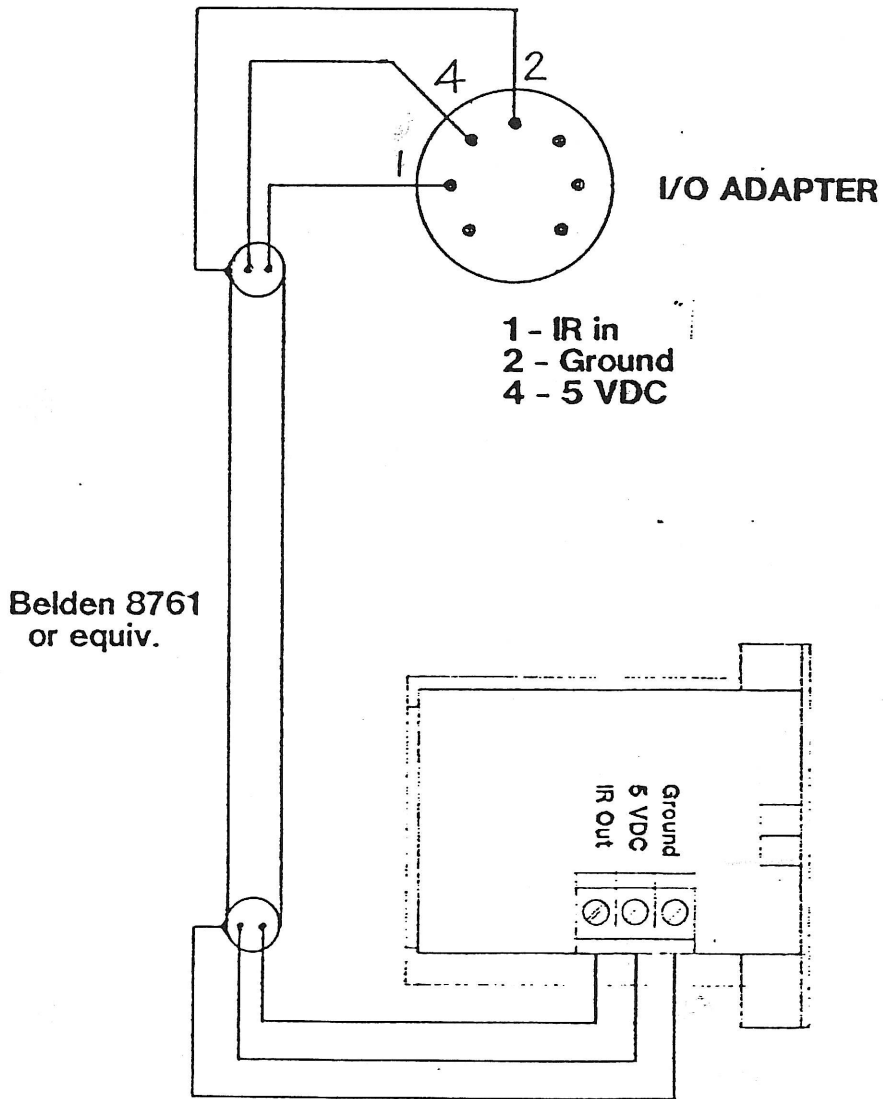


8 Pin DIN Connector 54.21.1010

REVOX

B209 MULTI-ROOM SYSTEM

I/O ADAPTER TO B206 WALL-MOUNT

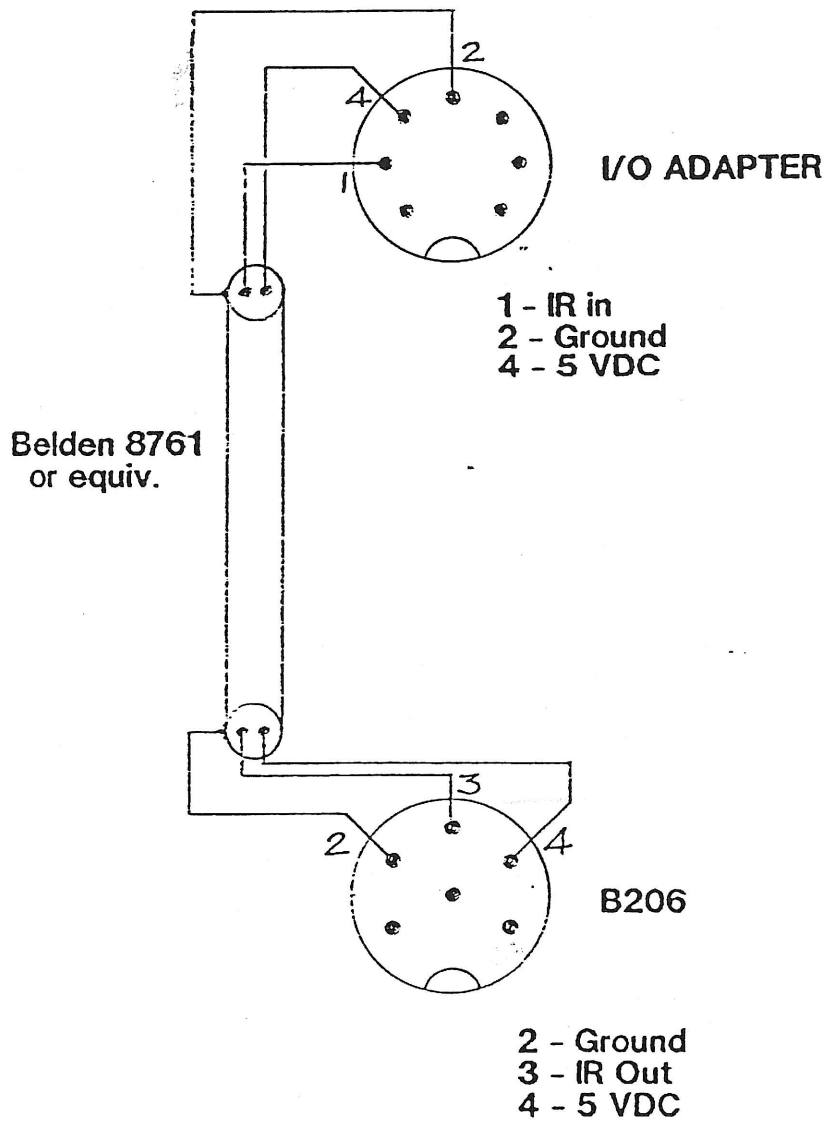


7 Pin DIN Connector 54.21.1015

REVOX

B209 MULTI-ROOM SYSTEM

I/O ADAPTER TO B206 TABLE-TOP



7 Pin DIN Connector 54.21.1015

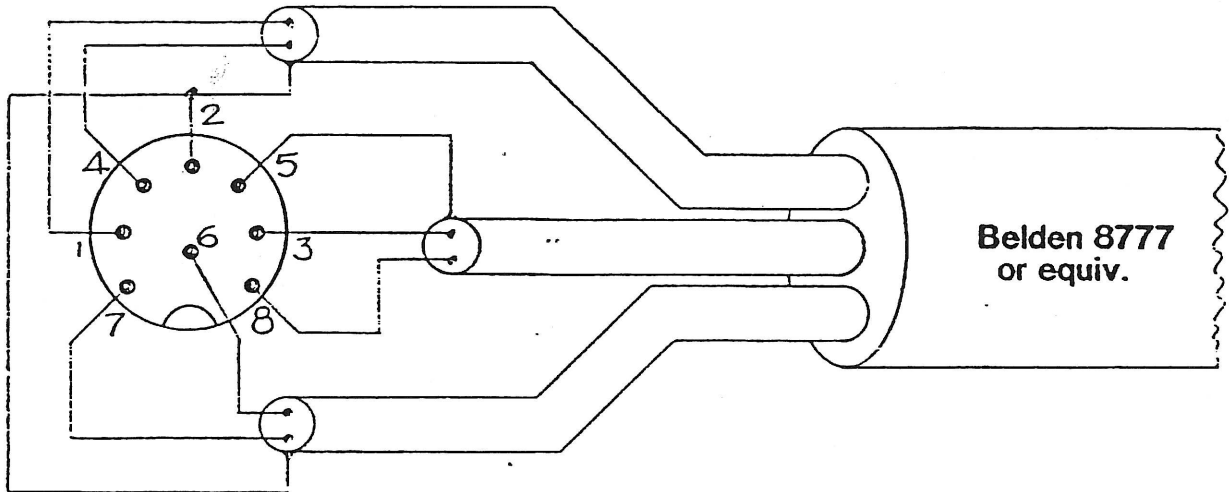
6 Pin DIN Connector 54.21.1014

REVOX

B209 MULTI-ROOM SYSTEM

POWERED SPEAKER

(POWER CUBE)



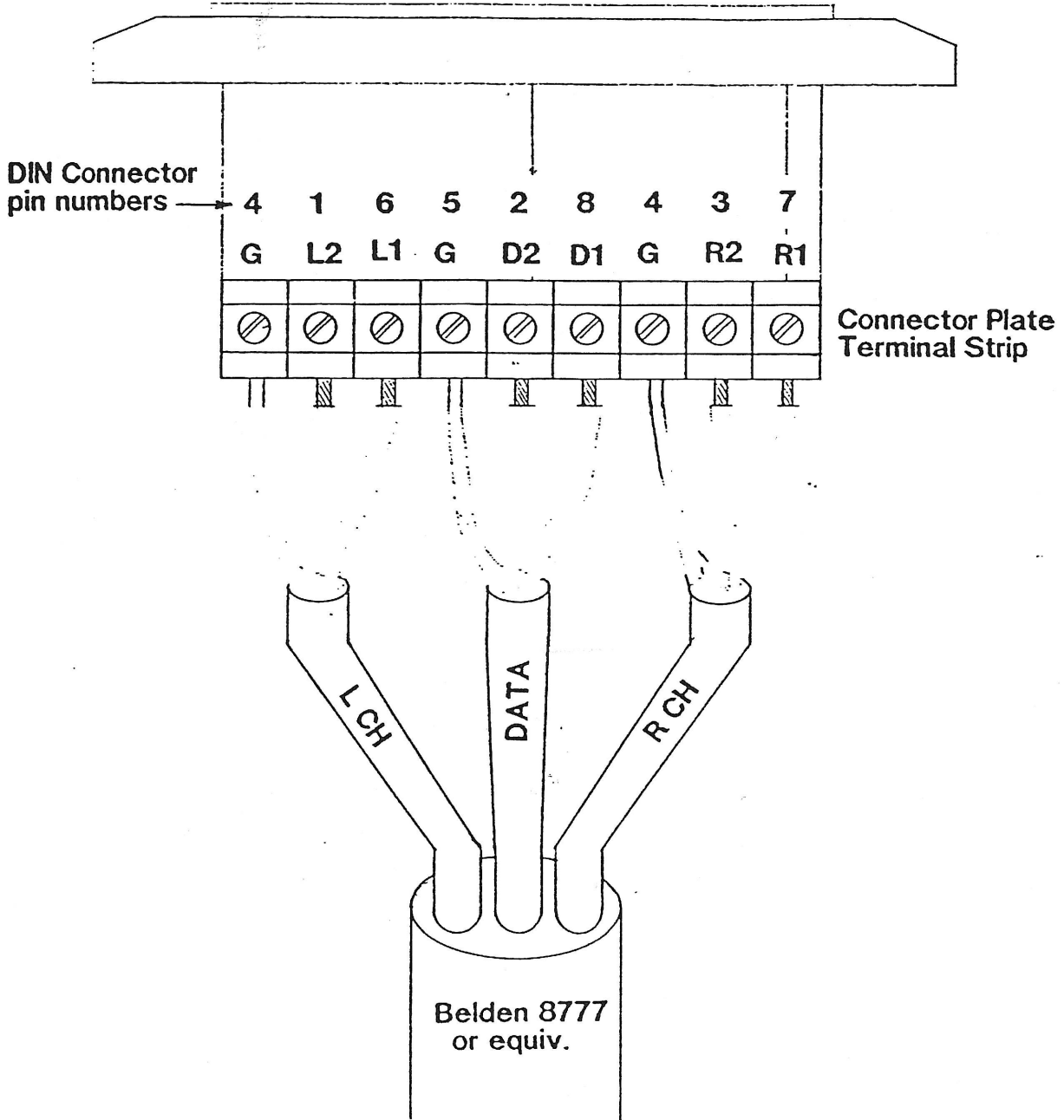
8 Pin DIN Connector 54.21.1016

Both Ends Identical

REVOX

B209 MULTI-ROOM SYSTEM

CONNECTOR PLATE





Screened Multipole Plugs with Plastic Housing

Pin arrangement					
Type	Mas 50 W	Mas 60	Mas 70 S	Mas 80 S	Mas 80 SN
Ordering code	930 805-117	930 017-117	930 356-117	930 298-117	931 518-117
Number of pins	5	6	7	8	8
Arrangement of pins in accordance with	DIN 45327	DIN 45322	DIN 45329 IEC 10	pins 1-5 DIN 41524	DIN 45326
Description	Screened plugs with plastic shell				
Colour	Standard grey. Other colours on request.				
Quantity boxed	50				
USE:		SERIAL LINK	I/O ADAPTER	POWERED SPEAKER	AUDIO/DATA BUS
REVOX ORDER NUMBER:		54.21.1014	54.21.1015	54.21.1016	54.21.1010

Special Series of Plugs with Plastic Housing

Minimum quantity to be ordered 1000 per item. Delivery assembled or unassembled. Standard colour of housing grey. Other colours on request.

For cable- ϕ 2,5 mm

for cable ϕ 2,5

Examples for ordering:
3 poles: Mas 32
5 poles: Mas 52 S

For cable- ϕ 5 mm to 6 mm
No cable sleeve

for cable ϕ 5

Examples for ordering:
3 poles: Mas 30 B
5 poles: Mas 50 SB

For cable- ϕ 8 mm

for cable ϕ 8

Examples for ordering:
5 poles: Mas 58 S
6 poles: Mas 68

For flat cable 6,3 x 3,4 mm

for cable 6,3 x 3,5

Examples for ordering:
3 poles: Mas 300
5 poles: Mas 500 S

Extra long plastic housing version
for cable- ϕ 3,6 mm

for cable ϕ 3,6

Examples for ordering:
3 poles: Umas 30
5 poles: Umas 50 S

Extra long metal screening
for cable- ϕ 5,5 mm, DIN 45328

for cable ϕ 5,5

Examples for ordering:
7 poles: Mas 70 S-L

ReVox B209 Multi-Room System

Installation Accessory Order Form

Qty	Item	Order Number
	B209 SubController	31005
	B208 IR Transmitter	31003
	B206 Wall Mount IR Receiver	31204
	Multi-Room Connector Box	
	Tee Connector	
	Connector Plate w/wall box	
	15 VAC Adapter	
	Serial Link Cable	33212
	6 Pin DIN Connector (Serial Link)	54.21.1014
	7 Pin DIN Connector (I/O Adapter)	54.21.1015
	8 Pin DIN Connector (Audio/Data Buss)	54.21.1010
	6 Pin DIN Connector (Powered Speaker)	54.21.1016
	Audio/Data Buss Cable	Belden 8777
	I/O Adapter Cable	Belden 8761

ReVox B209 Multi-Room System

Installation Equipment Order Form

Qty	Item	Order Number
ELECTRONICS		
	B250 Integrated Amplifier	20280
	B150 Integrated Amplifier	
	B260 FM Tuner	21800
	B160 FM Tuner	
	B226 Compact Disc Player	08006
	B126 Compact Disc Player	
	Signature Compact Disc Player	08020
	B215 Cassette Deck	10020
	B242 Power Amplifier	20342
- SPEAKERS -		
	Power Cube, black	24514
	Power Cube, white	24515
	Agora B, walnut	24680
	Agora B, black	24685
	Piccolo Subwoofer, black	24510
	Piccolo Subwoofer, white	24511
	Piccolo Satellites, black	24500
	Piccolo Satellites, white	24501
	Piccolo Satellites, white, flat	24490
	Symbol	24651
	Atrium	24691
	Plenum	24671
	Forum	24661